

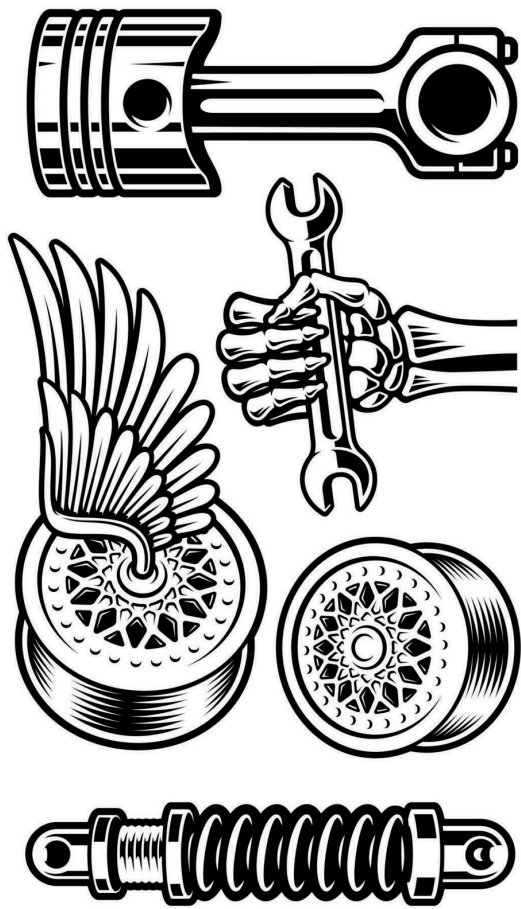


**A2Z**  
**EXPORTS**

✉ [exportsaz1@gmail.com](mailto:exportsaz1@gmail.com)

☎ 7407044444

🌐 [www.a2z-export.com](http://www.a2z-export.com)

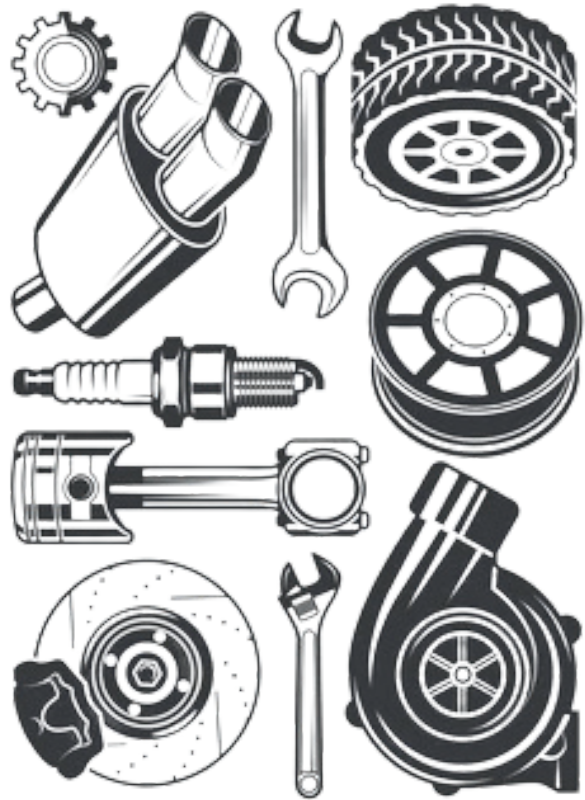


## ABOUT US

A2Z Export , established in 2021, is a trusted name in the export of high-quality industrial automation equipment and precision-engineered solutions. With over five years of strong industry expertise, we are committed to delivering reliable, innovative, and cost-effective automation products that meet the evolving needs of modern industries.

Headquartered in Punjab, India, we proudly serve clients across West Africa, with a strong focus on Ghana, catering to importers, industrial suppliers, distributors, and business partners who seek durable and performance-driven equipment. Our product range is carefully sourced and quality-checked to ensure international standards, consistent performance, and long-term operational efficiency.

At A2Z Export , our mission is to build long-term global partnerships through trust, timely delivery, competitive pricing, and exceptional customer support. By combining technical knowledge with export excellence, we help businesses streamline operations and achieve sustainable growth with dependable industrial automation solutions.



## WHAT WE DEAL IN

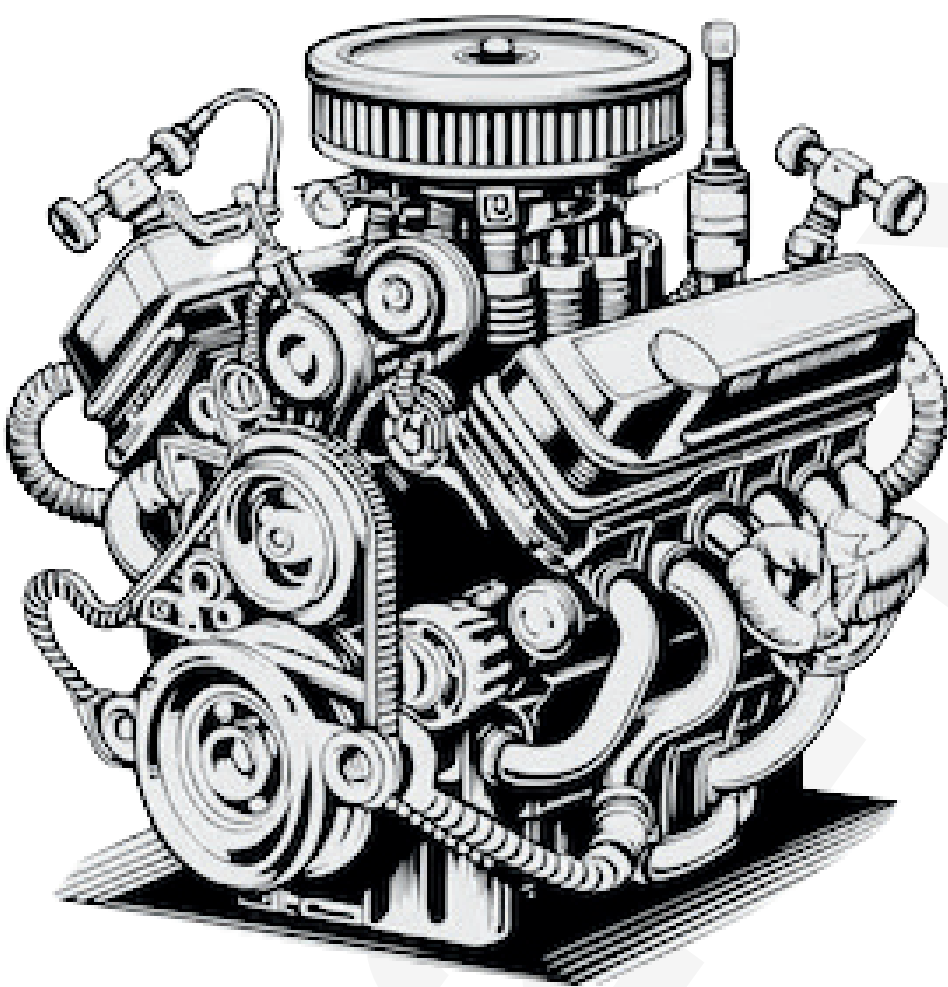
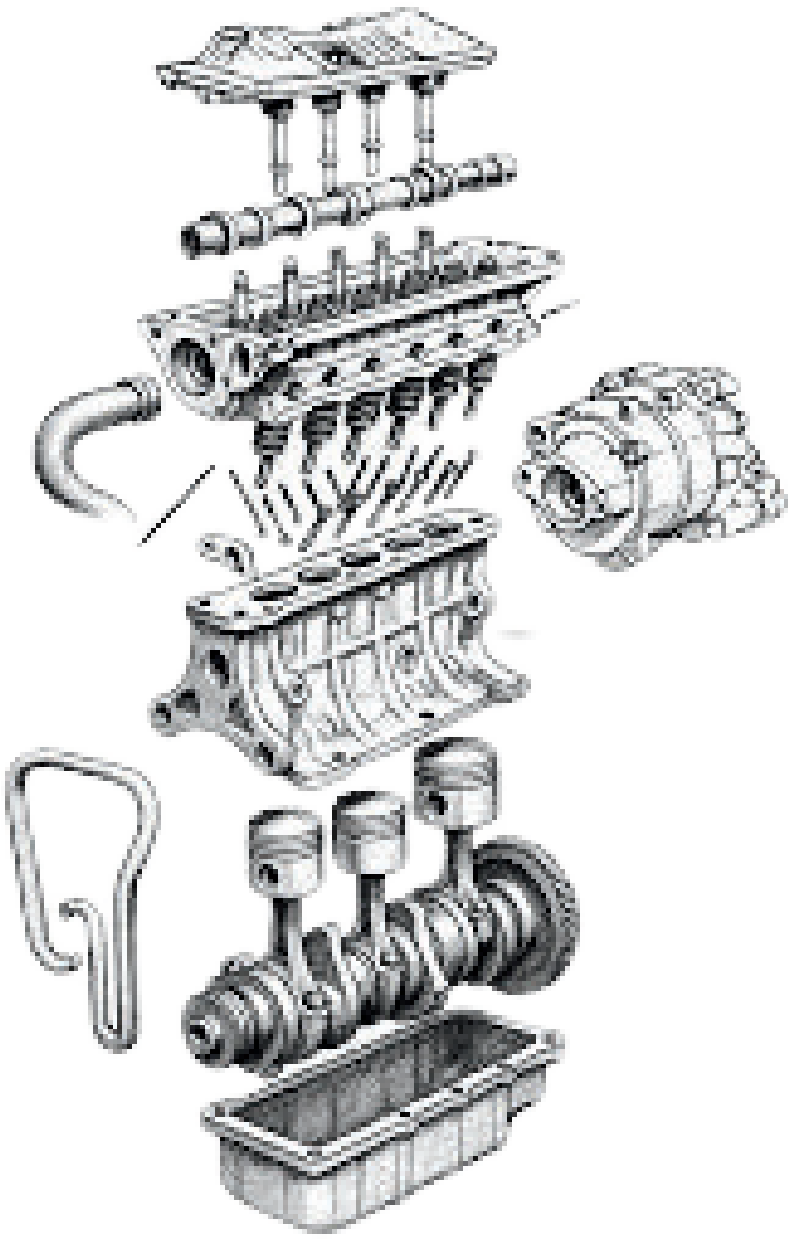
At A2Z Export , we specialize in the export of a wide range of high-quality automotive spare parts and industrial-grade components designed to meet the demands of West Africa, especially Ghana.

Our product portfolio covers spare parts for:

- **Truck Auto Parts** – Heavy-duty parts for commercial transport vehicles, fleet operators, and logistics companies
- **Bus Auto Parts** – Durable and performance-tested components for passenger and public transport buses
- **Tractor Auto Parts** – Reliable agricultural and farming equipment parts for long-lasting field performance
- **Car Auto Parts** – Premium-quality replacement parts for passenger cars and light vehicles
- **Two-Wheeler Parts** – Engine, body, brake, suspension, and maintenance parts for motorcycles and scooters
- **Tricycle / Auto Parts** – Strong and cost-effective parts for auto-rickshaws, cargo tricycles, and three-wheelers.

We focus on delivering OEM-quality, export-grade spare parts that ensure durability, smooth performance, and excellent value for distributors, wholesalers, workshops, and fleet owners.

With strict quality checks, competitive pricing, and dependable logistics support, we help our buyers source the right parts with confidence.



## OUR ENGINE PARTS INVENTORY

Piston

Crankshaft

Liner

Nozzle Pin

Camshaft

Engine Block

Cylinder Head

Valves

Piston Ring and Pin

Injector or Spark Plug

Connecting Rod

Crown

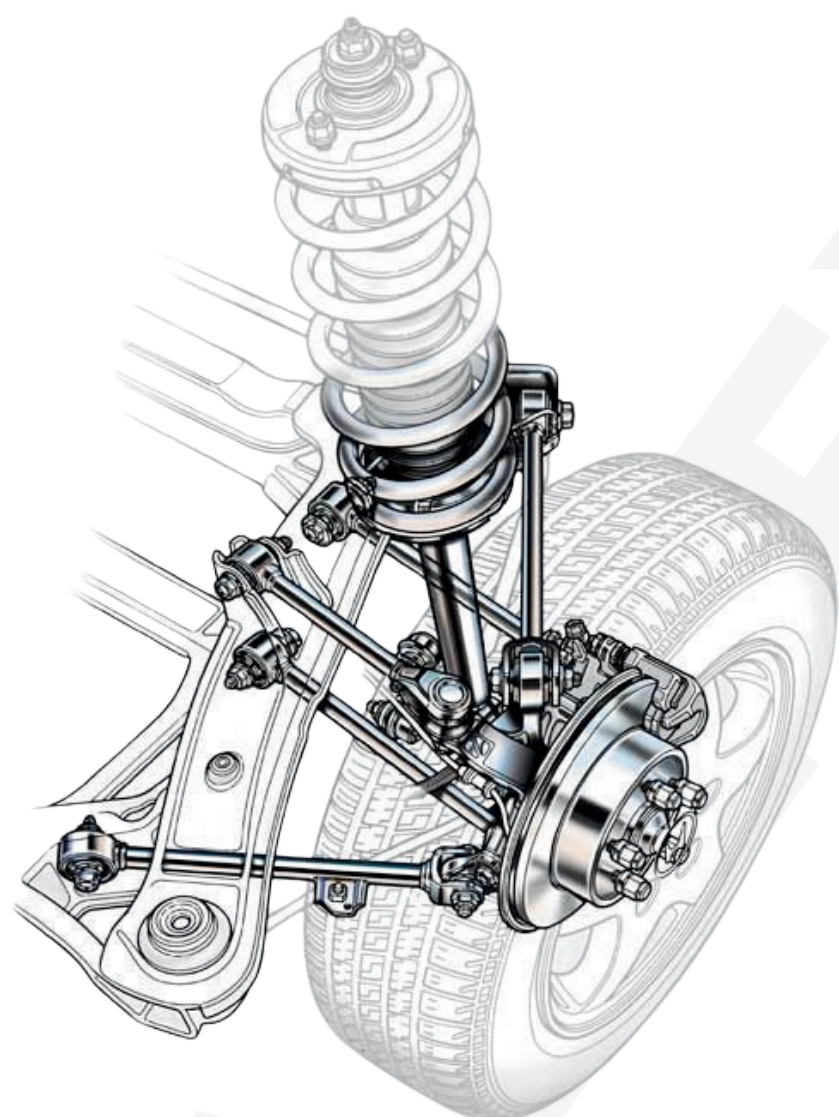
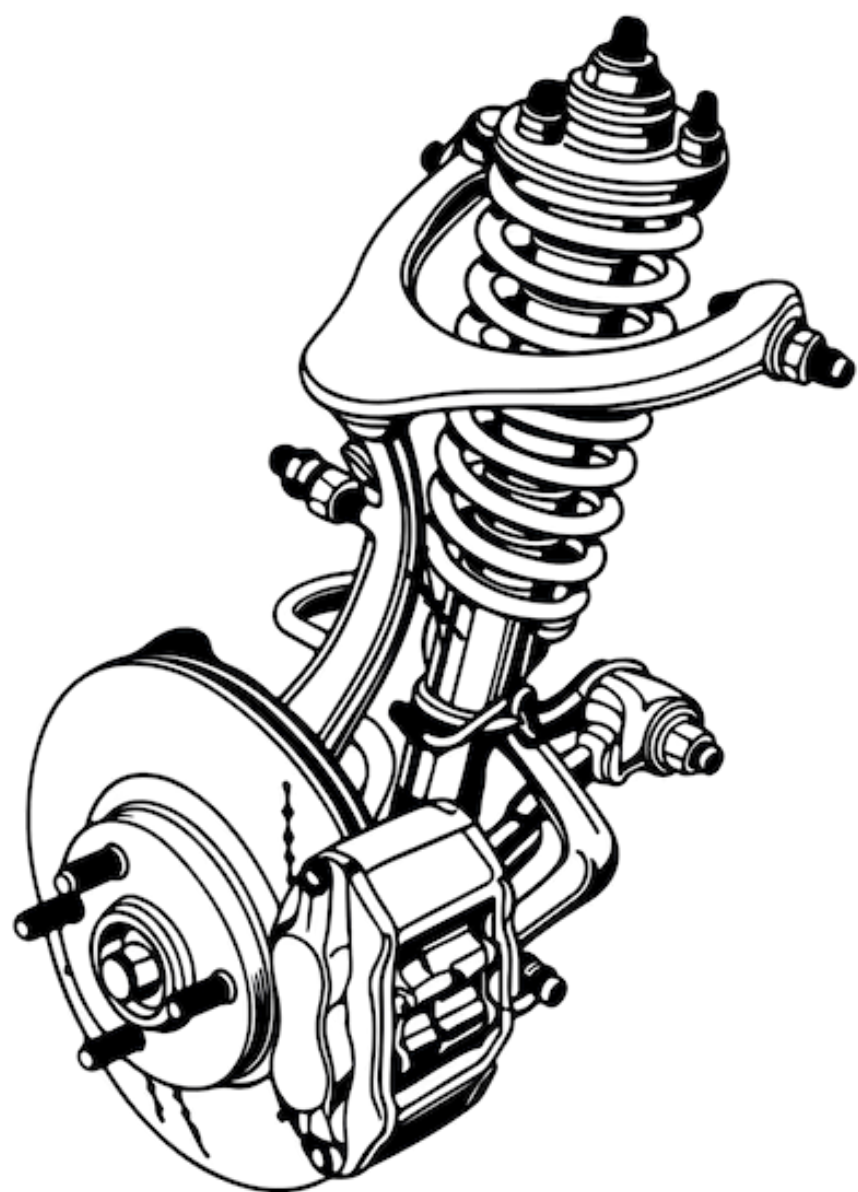
Pivot Pin

Carbonator

Stater Motor

Valve Cover Head Nut

Stater Motor



## OUR SUSPENSION SYSTEM INVENTORY

Shock Absorber

Shock Spring

Plate Suppression

Axle Lock

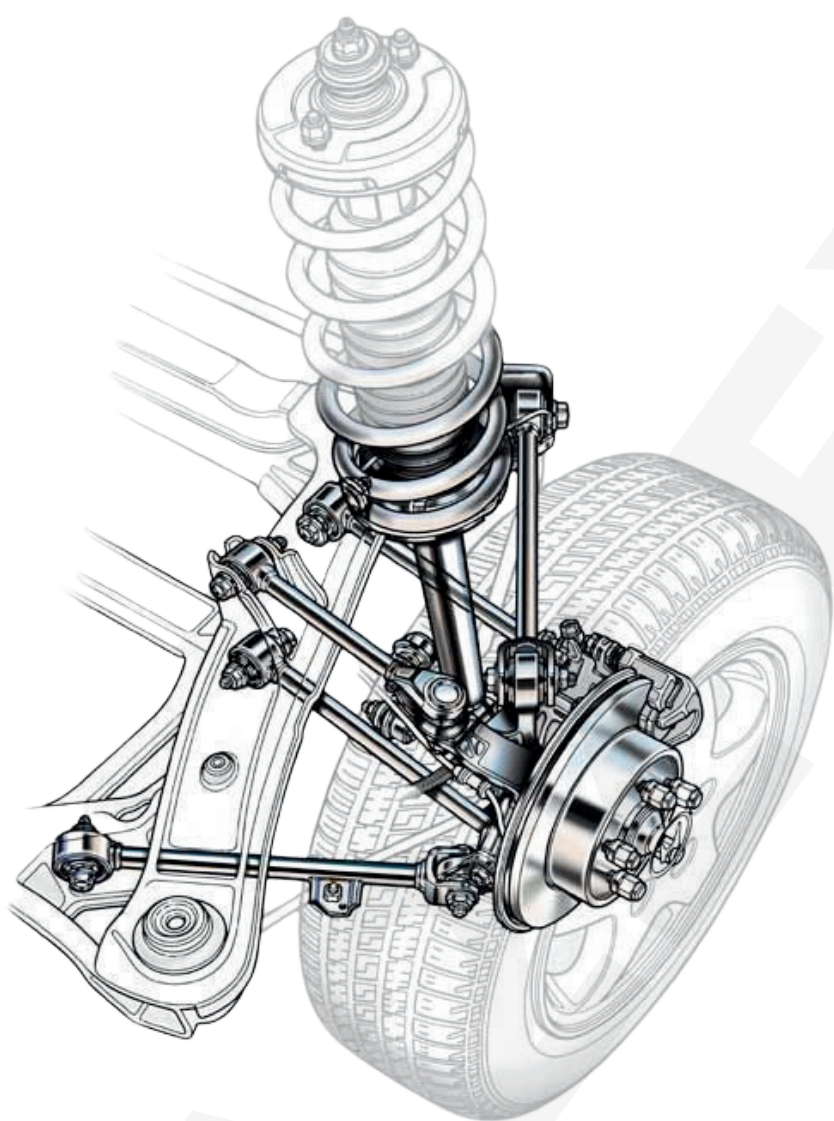
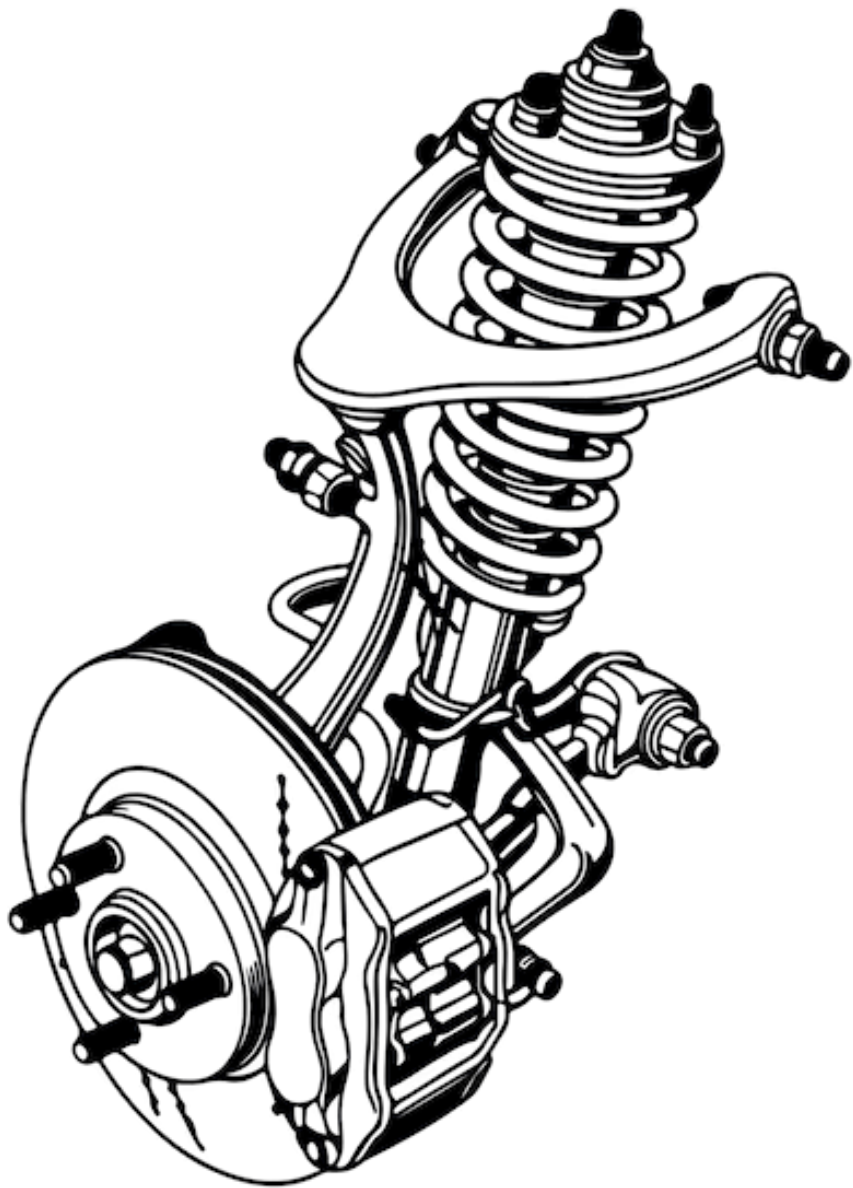
Alternator

Grip Plates

Long Nut

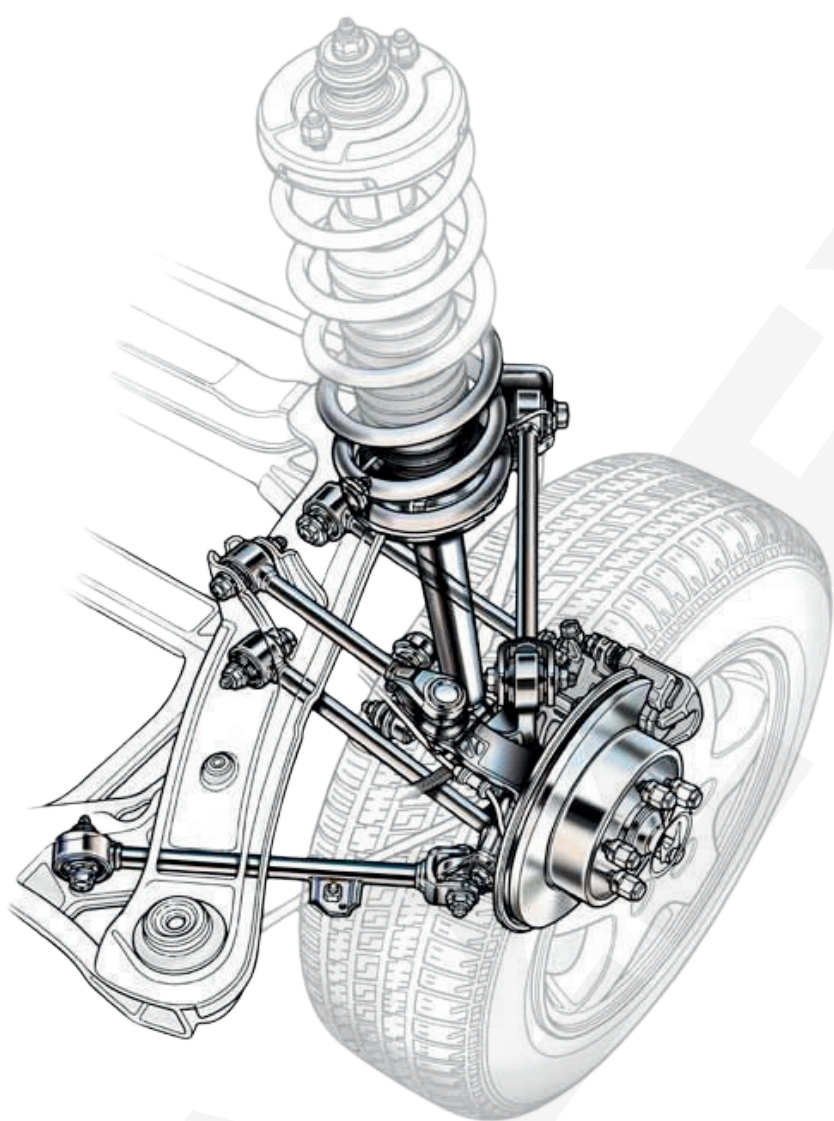
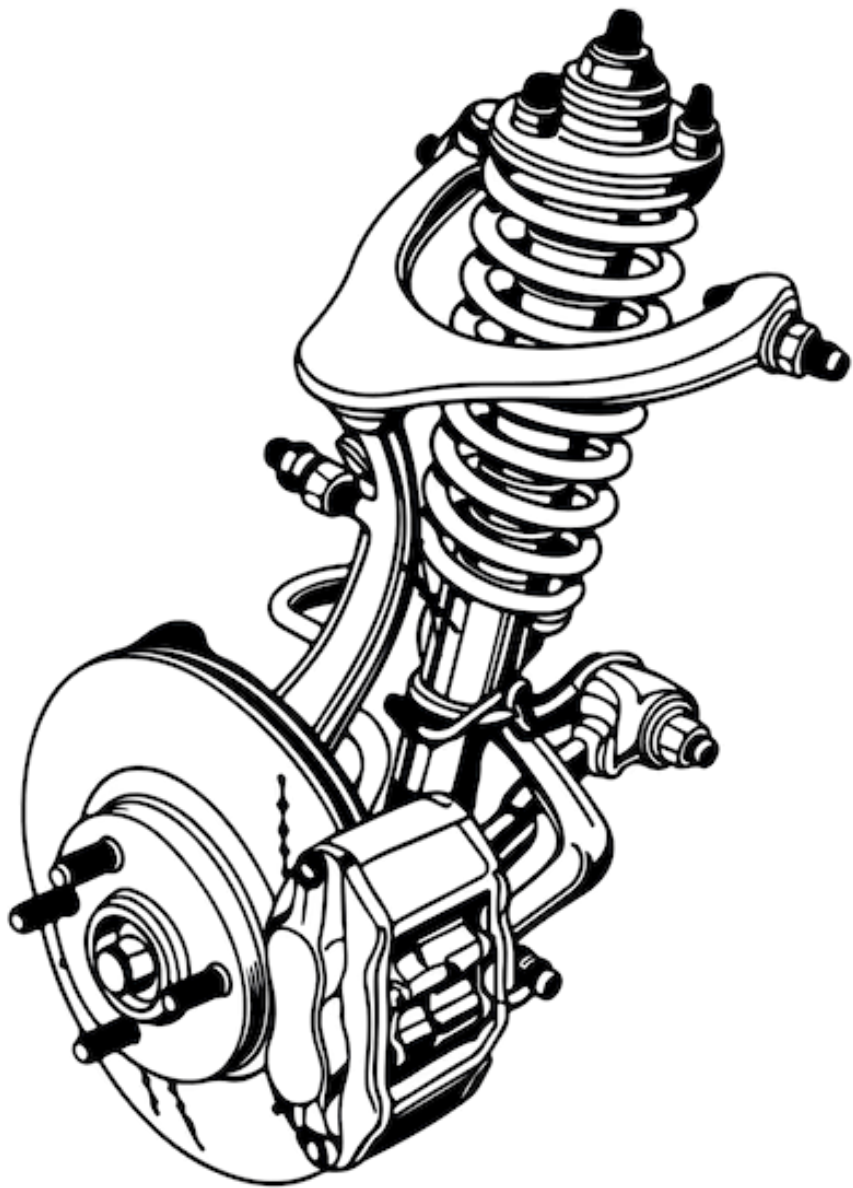
Banjo Bolt

Crush Guard



## OUR COOLING SYSTEM INVENTORY

- Radiator
- Radiator Cap
- Turbocharger
- Air Cleaner
- Air Breather
- Thermostat Valve
- High Pressure Pipe
- Radiator Cap
- Flexible Pipe
- Thermostat Sensor
- Turbocharger
- Radiator Fan
- Coolant Reservoir
- Oil Pump
- Water Pump
- Fan belt
- Radiator Hose
- Engine Mount
- Intercooler
- Engine Control Unit
- Water Jacket Flange
- Exhaust Manifold
- Fuel Pump

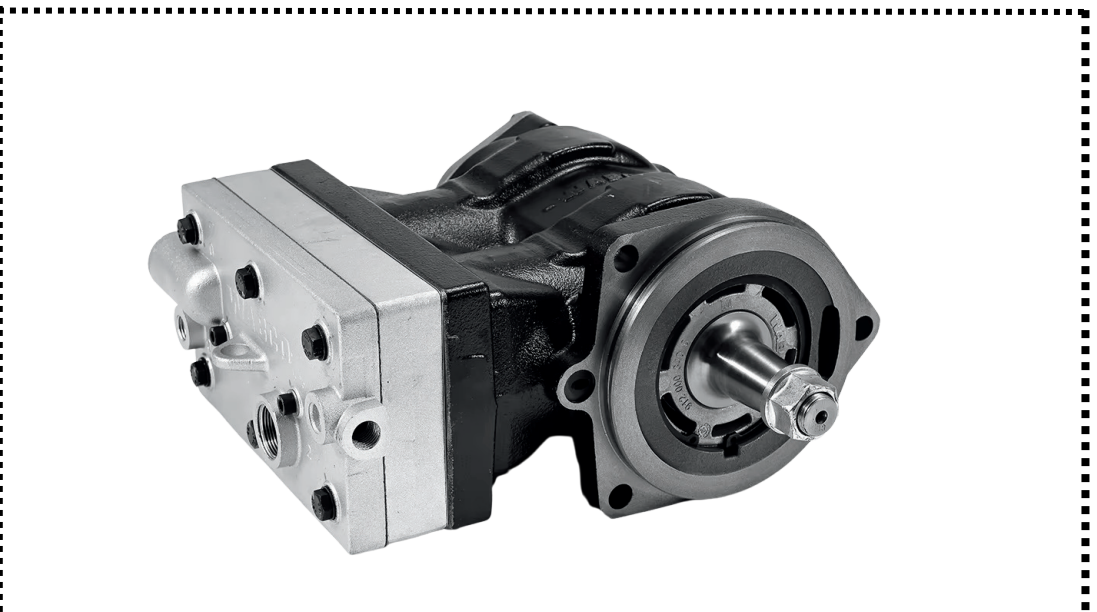
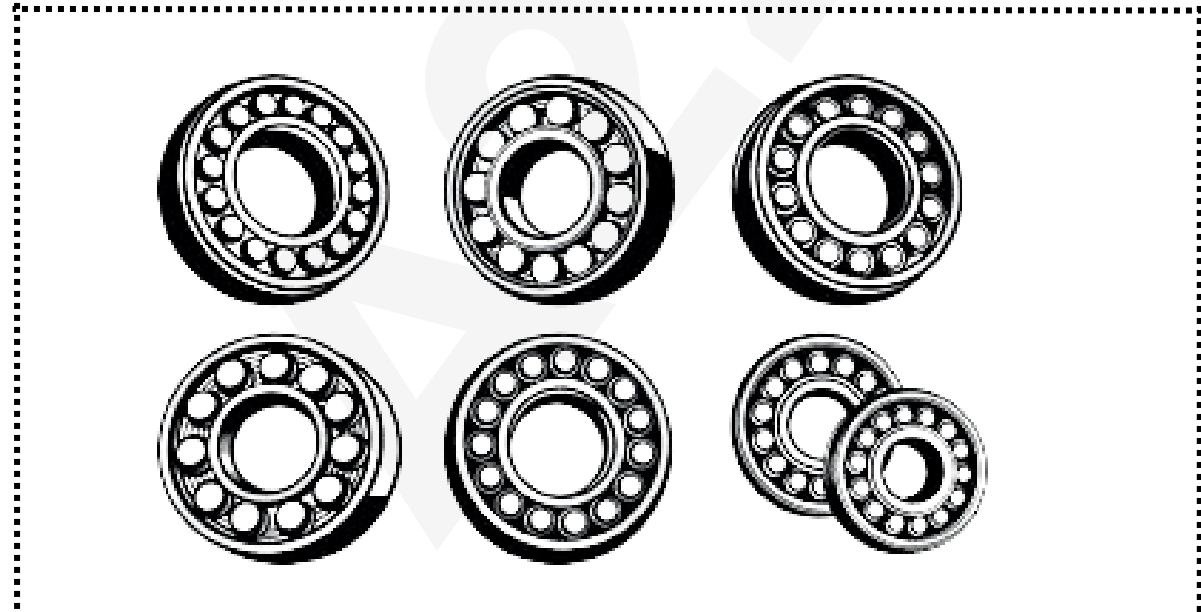


## OUR PROPELLER SYSTEM INVENTORY

- Half Clutch Shaft
- Bush
- Lunch Pin
- Check Nut
- Housing
- Nut and Bolt
- Fuel Pump Gear
- Timing Chain
- Timing Chain Guard
- Wool Tadpoli
- Coupling Blade
- Coupling
- Elbow
- Coil Spring
- Lock pin
- Spring
- Busing
- Leaf Spring
- Power Steering Pump
- Centre Pin and Washer
- Spring Assembly with Arm

## OUR PROPELLER SYSTEM INVENTORY

Main Bearing	Axle Arm
Big End Bearing	Propeller
Camshaft Bearing	Propeller Bearing
Lower Link	Flech Wheel
Half Axle	Gear Box
Rear Axle Shaft	Pressure Plate
Cam Gear	Flywheel
Hydraulic Arm	Axle Shaft
Clutch Hub	Clutch Bearing
Lower Assembly	Brake Drum
Push Pin	Master Cylinder
Drive shaft	Control Arm
Clutch Complete	Stabilizer Arm
Clutch Housing	Tie End Rod
Fork	Steering Rack
Ball Joint	Differential
Brake Clipper	Clutch Hub
Universal Joint	Cam Gear
Air Brake Compressor	Half Clutch Shaft
	PTO Shaft and York





## OUR WHEELS & ALLOYS INVENTORY

Tires

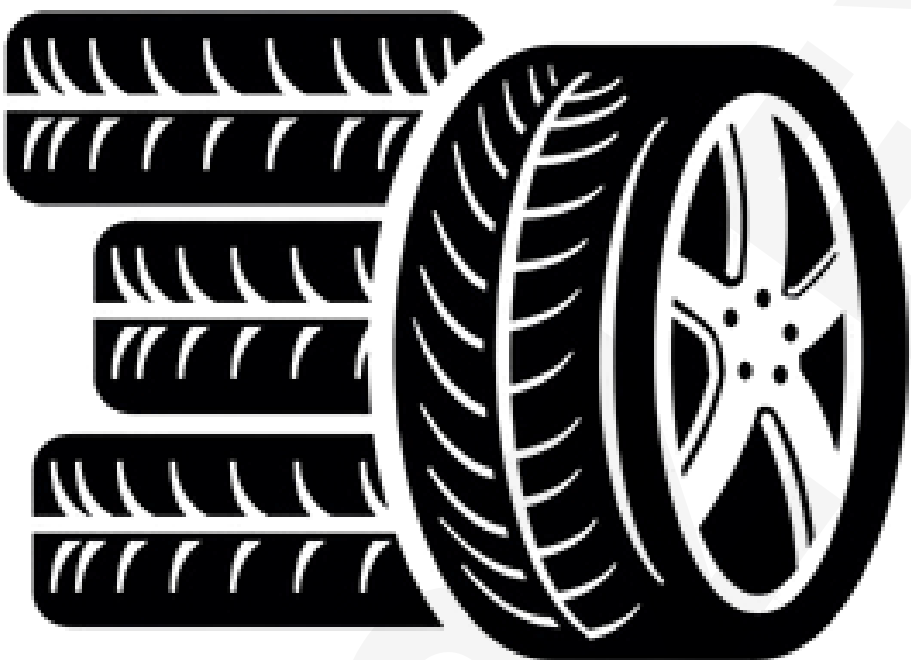
Tube

Rim

Alloy Wheel

Spoke

Wheel Cylinder





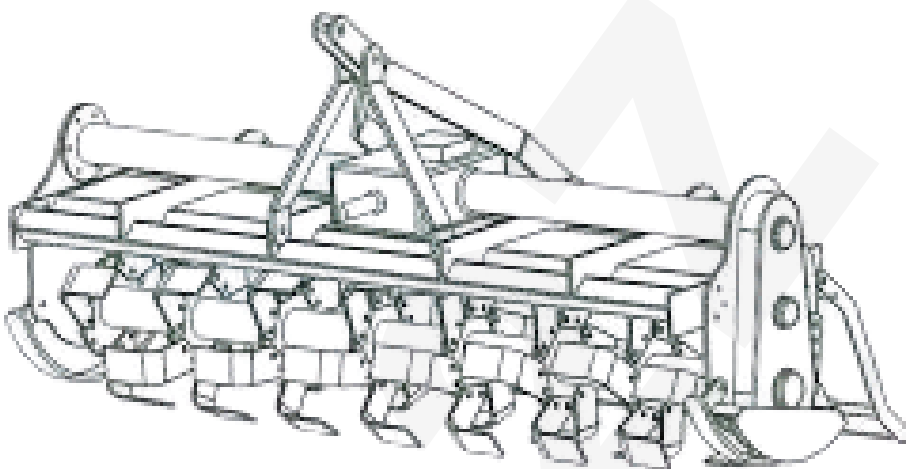
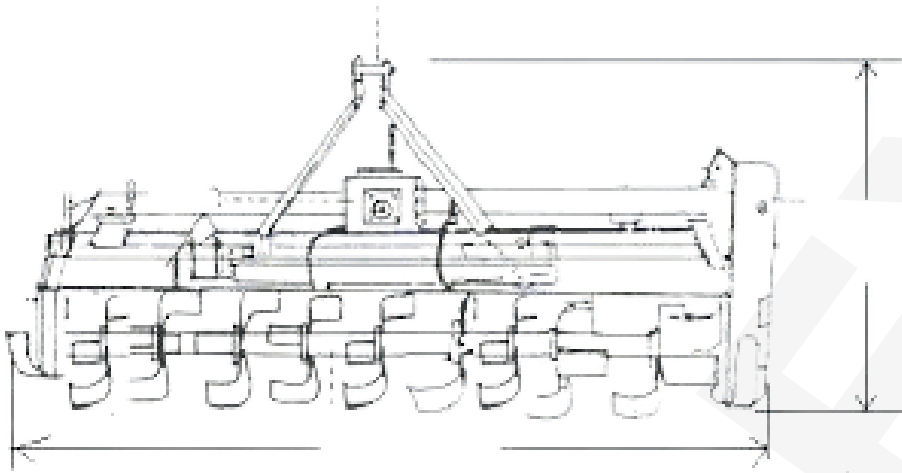
## OUR TRACTOR PARTS INVENTORY

Cultivators

Disc Ploughs

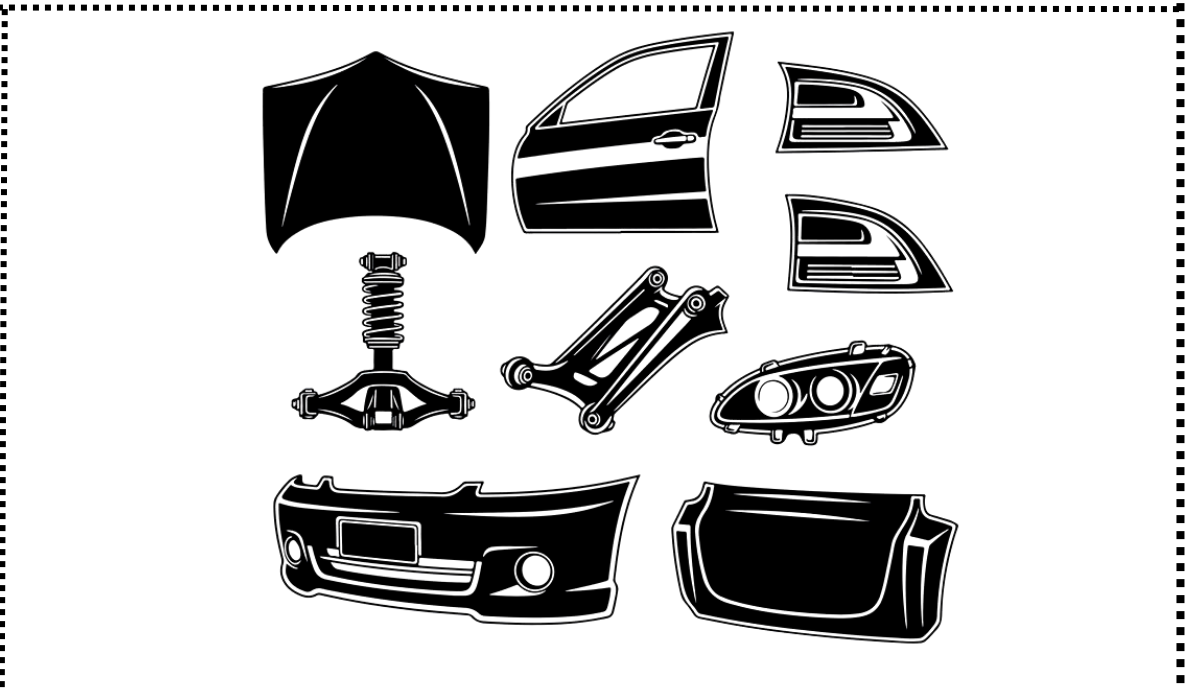
Subsoilers

Rotavator



## OUR BODY PARTS INVENTORY

- Bumper -----
- Door -----
- Windshield -----
- Side Mirror -----
- Dashboard -----
- Steering Column -----
- Steering Knuckle -----
- Wiper Motor -----
- Centre Stand -----
- Foot Rest -----
- Rear Shield Glass -----
- Side Panel -----
- Timing Belt -----
- Brake Clipper -----
- Tensioner -----
- Brake Pot -----
- Brake Band -----
- Brake Pedal -----
- Diesel tank -----
- Bonet Lock -----
- Steering Wheel -----
- Gas Breather Cap -----
- Fuse Box -----
- Down Coil (tank coil) -----
- Top Coil -----
- Pedal Set -----
- Show Jail -----
- Wire Harness -----
- Circlip -----



## OUR ACCESSORIES INVENTORY

- Speedometer
- Lights
- Oil Seal
- Starter Switch
- Filter
- Air Cleaner
- Wiper
- Brake Fluid
- Brake Pot Sealing
- CDI
- Relay
- Battery
- Horn
- Plug Cap
- Stater
- Armature
- Gas Cable
- Acc. Cable
- Clutch Cable
- Brake Cable
- Fuel Pipe
- Tail Night
- Tail Light Bulb
- Indicator
- Oil Filter
- Grease
- Brake Oil Pressure
- Headlight
- O-ring

